

ARCH™

ARCH Leg Positioning System

Best-in-class for Direct Anterior Total Hip Replacement

"The ARCH provides controlled and repeatable movement of the leg. Femoral elevation is achieved automatically by the counter lever effect of the edge of the table when dropping the leg during femoral preparation."

*- Stefan Kreuzer, MD
Houston, Texas*

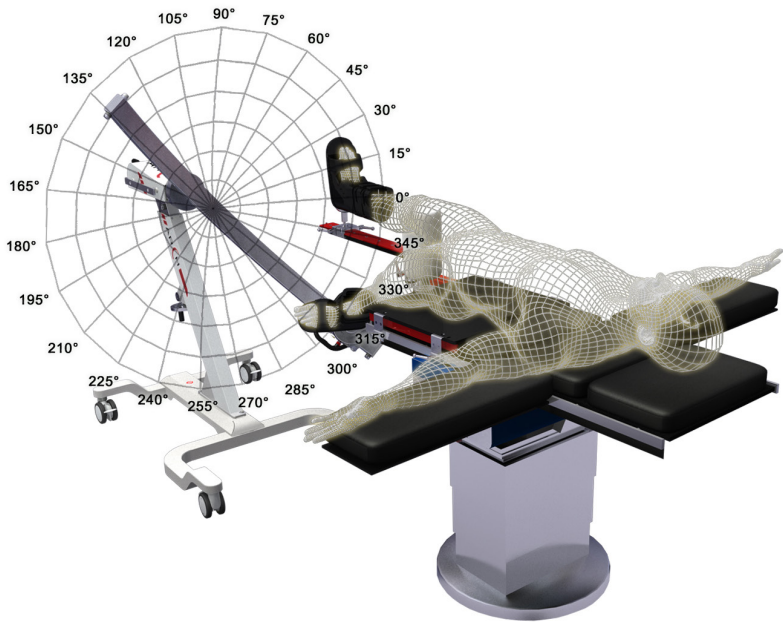
Combine the ARCH with any standard OR table to build a superior leg positioning system.



Measurable, Reproducible Positioning

Clinical Advantages:

- Superior femoral access
- Independent, precise control of traction, rotation, extension, and adduction
- Patented design allows the leg to be moved anywhere along the curved track without altering traction
- Provides a wide range of positioning capabilities
- Ideal for anterior hip replacement and femoral fractures
- Suitable for patients up to 500 lb. (227 kg)



Operational Advantages:

- Quick and easy setup
- Free-standing, mobile design
- Use with your existing OR tables
- Small storage footprint, ideal for surgery centers
- Enhanced OR flexibility - no dedicated OR needed
- Robust construction, low maintenance



IOT (Innovative Orthopedic Technologies) develops specialty solutions for the orthopedic market, with a focus on innovative patient positioning devices that fit seamlessly into the operating environment. We aim to streamline procedures, support repeatability, and literally free the hands of the surgical team.

Unleash your surgical genius.

United States:

Innovative Orthopedic Technologies, LLC

1115 Hwy 124 · Winnie, TX 77665

t: +1 409-658-1017 · e: info@iotiot.com · w: www.iotiot.com

International:

Innovative Orthopedic Technologies, IOT AG

Langgülistrasse 8 · CH-9470 Buchs · Switzerland

t: +41 81 511 9800 · e: info@iotiot.com · w: www.iotiot.com

Non-contractual pictures. Please carefully read the instructions for use : ARCH IFU_RD-PT-6813010-06en



ARCH BROCHURE_02001C

