

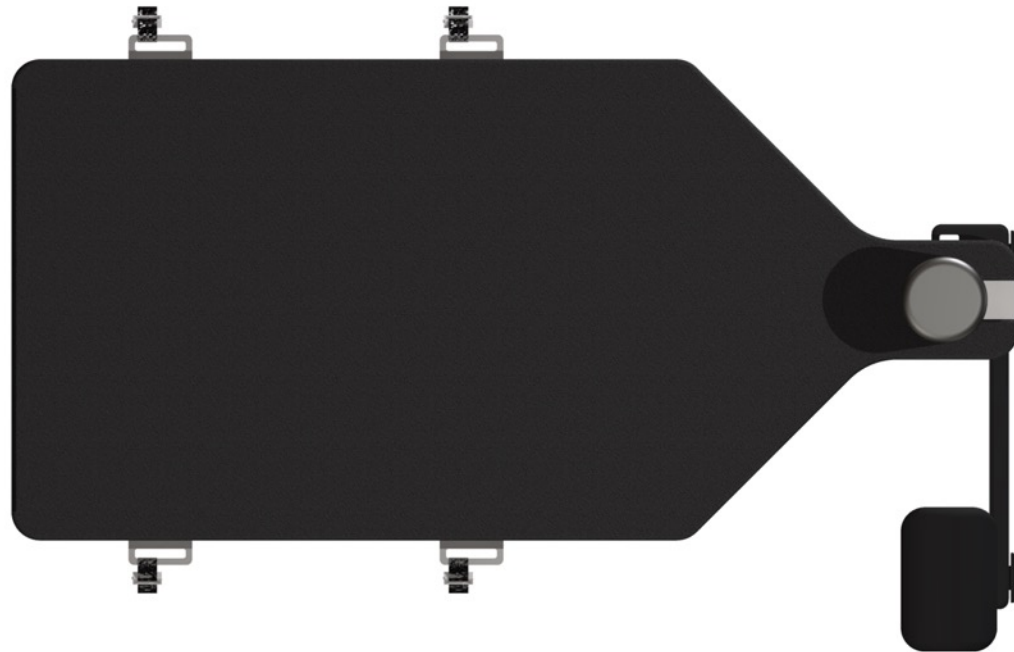
DAA Top 360 Overview



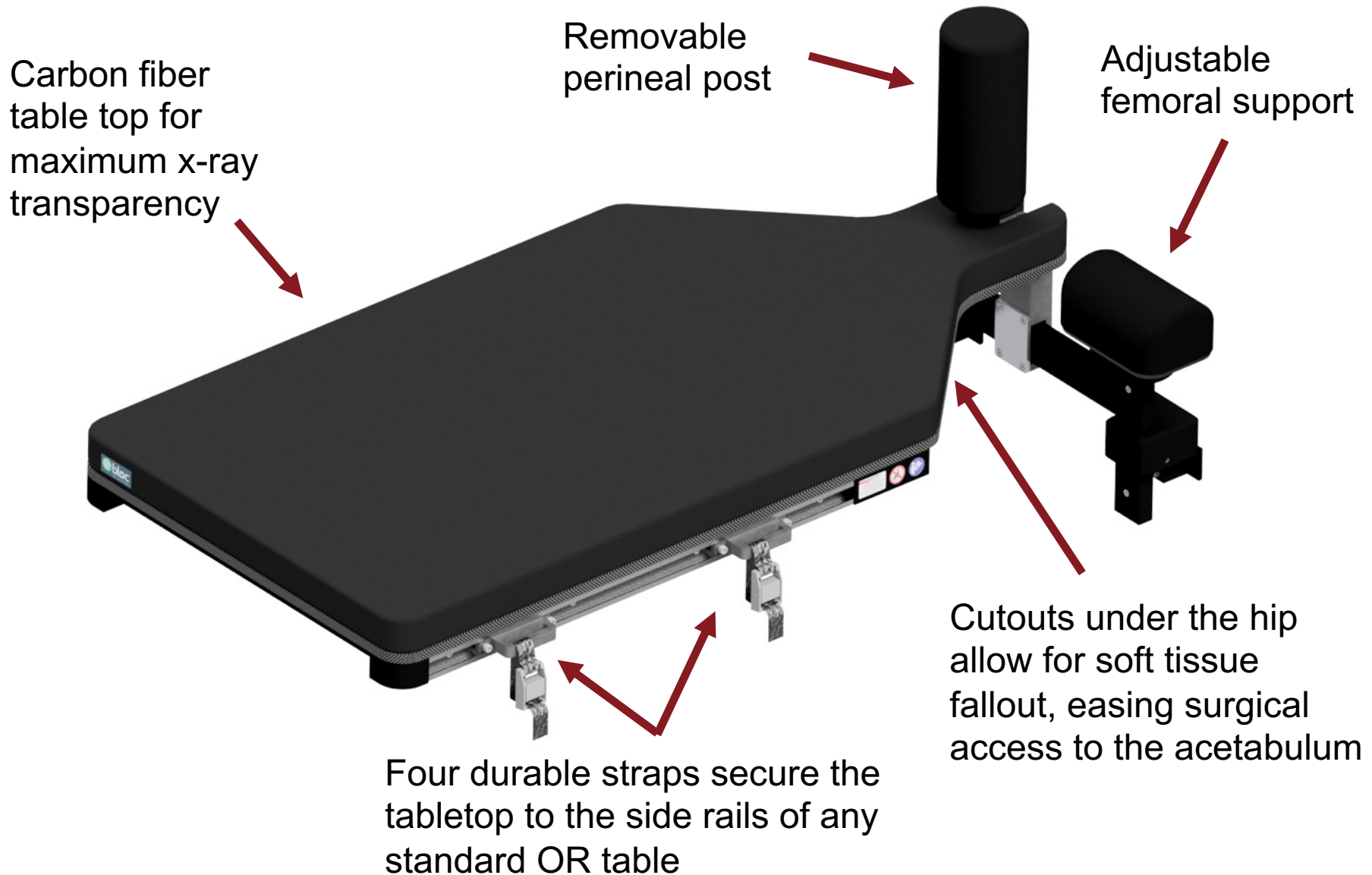
Used with the IOT PURIST Leg Positioning System for Anterior THA

Introduction

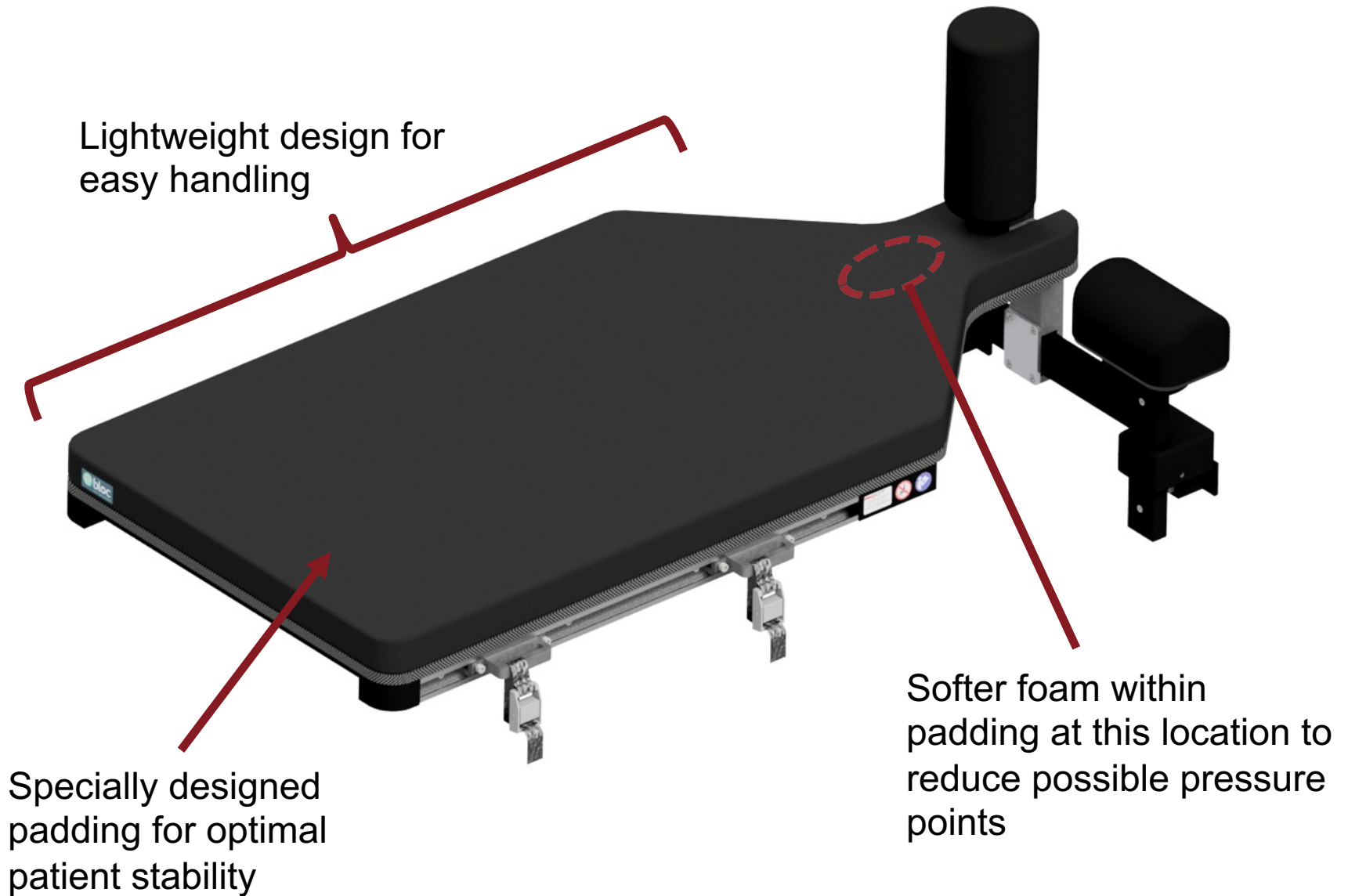
The DAA Top 360 is a tabletop accessory that improves surgical access to the acetabulum and femoral canal, and is designed for maximum x-ray transparency for improved visualization throughout anterior THA.



Features

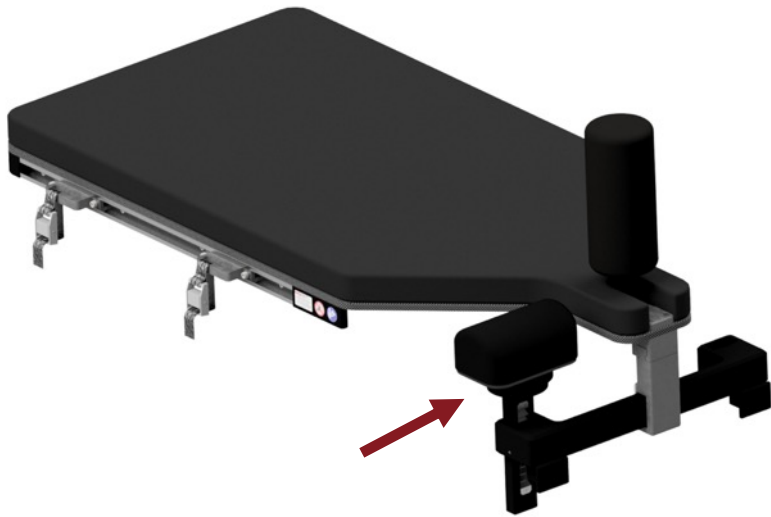


Features Continued



Femoral Support

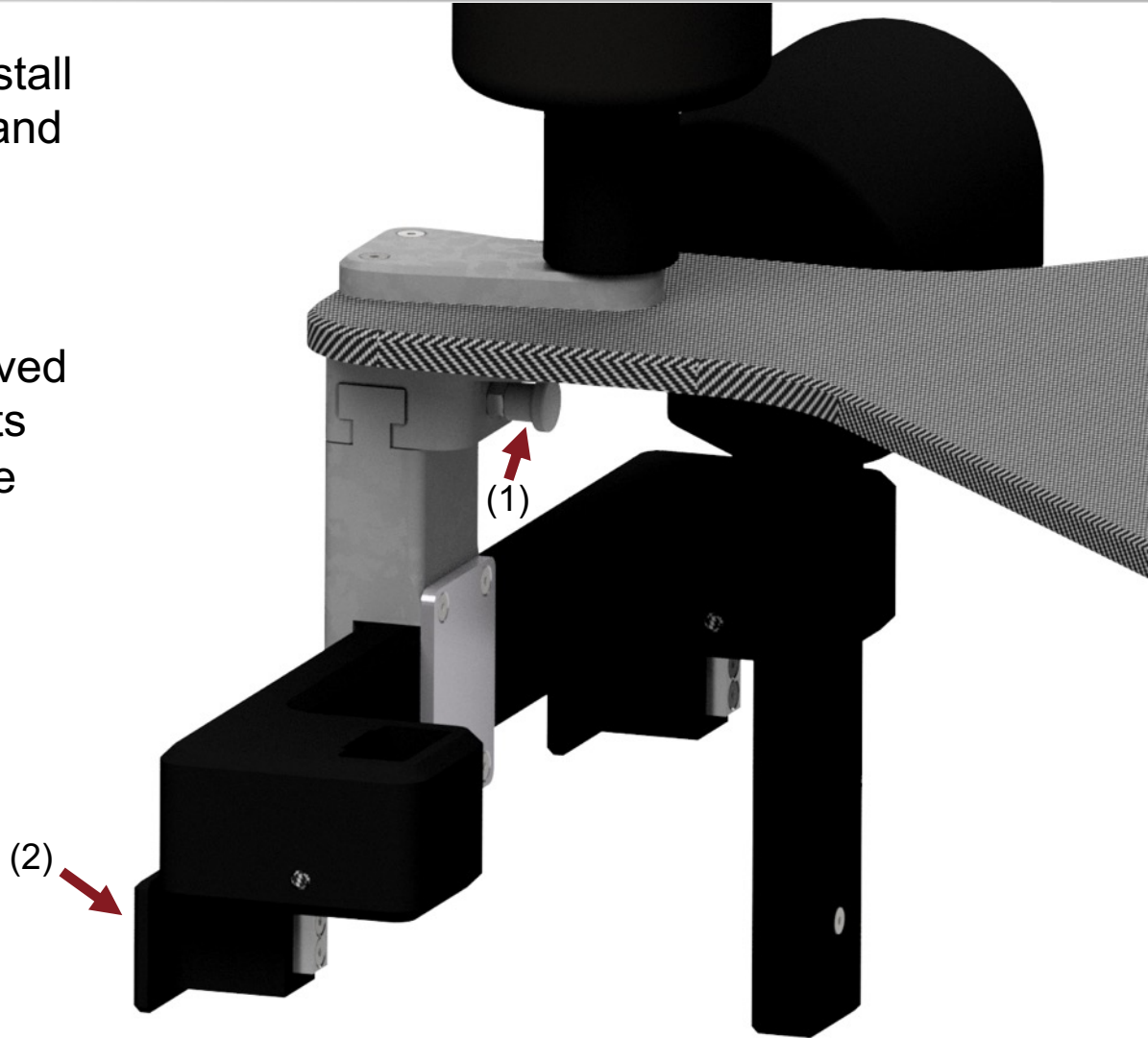
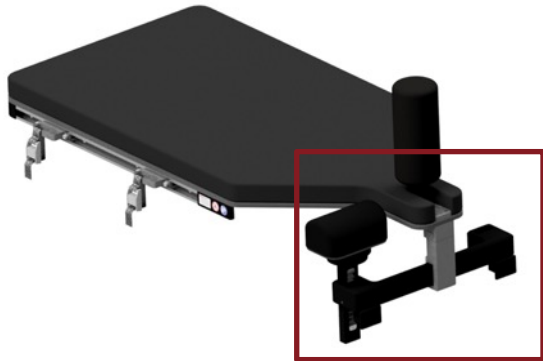
The femoral support's ratcheting design provides many different fulcrum height settings to lift the proximal end of the femur for optimal exposure.



Femoral Support Adjustment

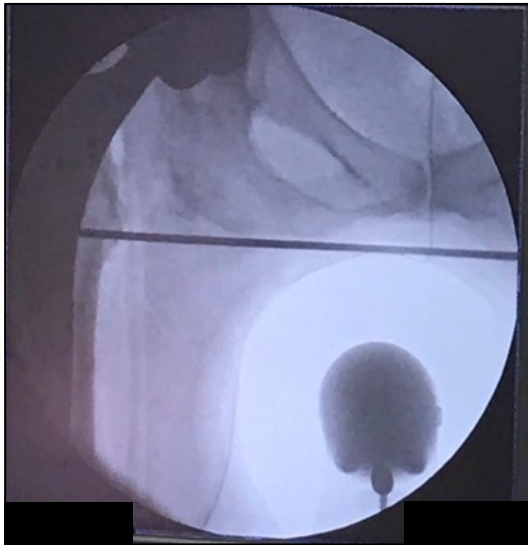
The locking pin (1) is used to install and remove the cross element and transverse support that hold the femoral support.

The femoral support can be moved from one side to the other and its height can be adjusted using the push knob (2).

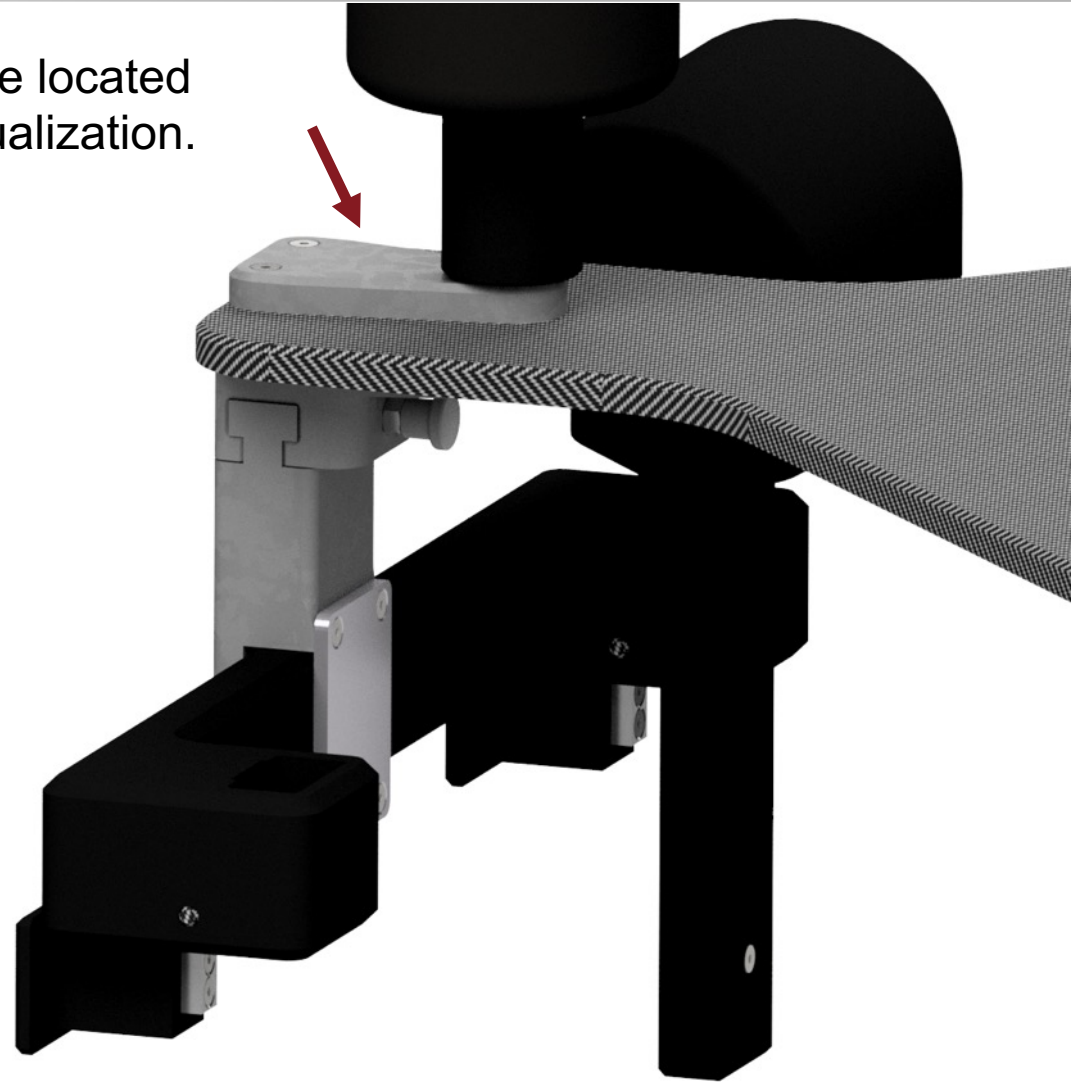
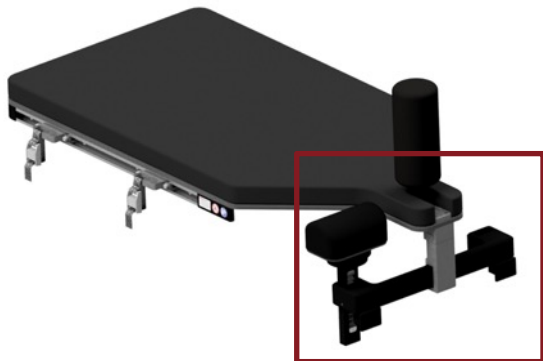


X-Ray Transparency

All perineal post support structures are located distal to the post for optimal x-ray visualization.



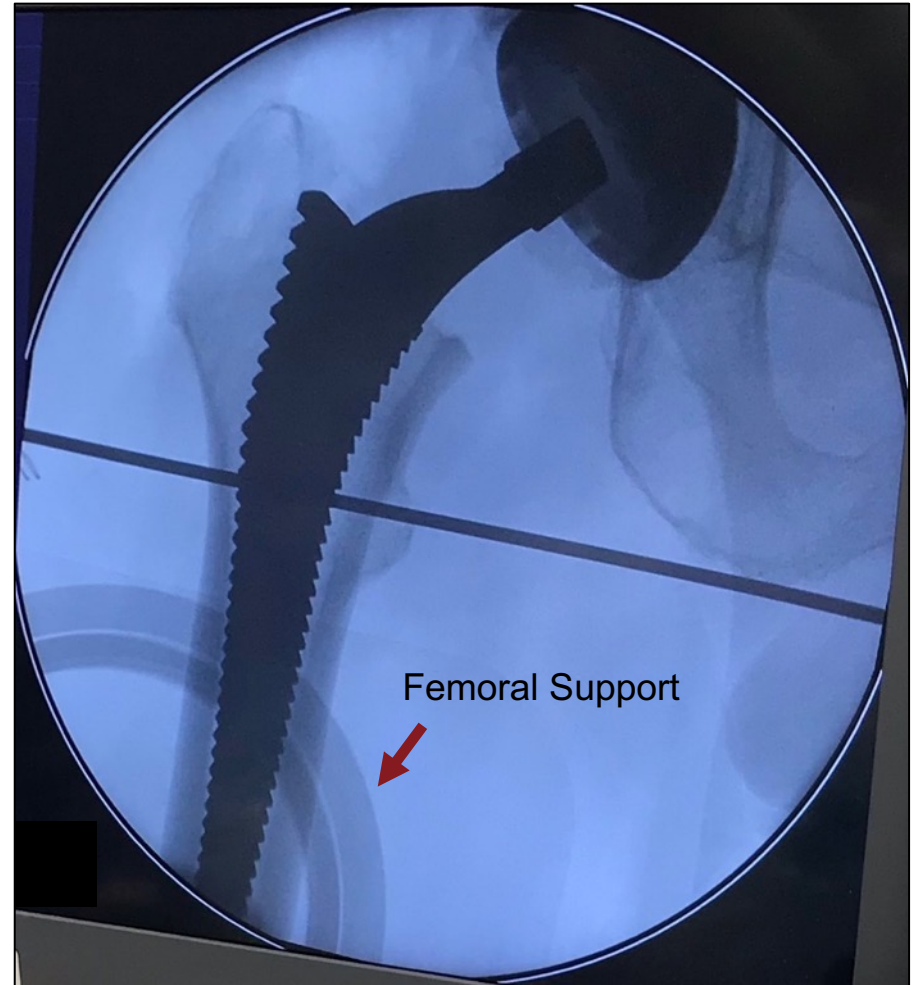
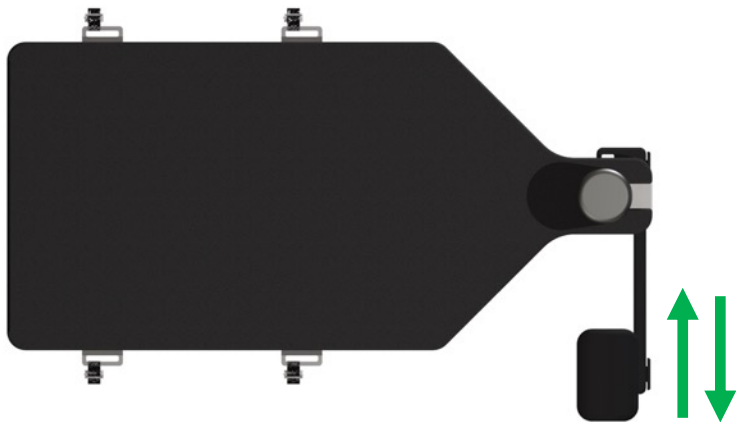
(Intraoperative x-ray)



Femoral Support – Lateral Movement

The femoral support can be intraoperatively moved laterally:

- 1) For optimal support placement based on patient anatomy
- 2) To completely remove the femoral support from the x-ray if necessary



(Intraoperative x-ray)

Adjustable Straps

Four straps secure the DAA Top 360 to the OR table.

The position of each individual strap can be adjusted for optimal placement on various OR tables.



DAA Top 360 Summary

Main Benefits:

- Improved surgical access to the acetabulum
- Improved surgical access to the femoral canal
- Improved visualization throughout anterior THA





IOT (Innovative Orthopedic Technologies) develops specialty solutions for the orthopedic market, with a focus on innovative patient positioning devices that fit seamlessly into the operating environment. We aim to streamline procedures, support repeatability, and literally free the hands of the surgical team.

Unleash your surgical genius.

United States:

Innovative Orthopedic Technologies, LLC

1115 Hwy 124 · Winnie, TX 77665

t: +1 409-658-1017 · e: info@iotiot.com · w: www.iotiot.com

International:

Innovative Orthopedic Technologies IOT AG

Schochenmühlestrasse 4 · CH-6340 Baar · Switzerland

t: +41 41 749 4099 · e: info@iotiot.com · w: www.iotiot.com

Non-contractual pictures. Please carefully read the instructions for use: SUP_7.039_DAA TOP 360_IFU_&_OPERATING_INSTRUCTIONS_EN

CE DAA Top 360 Overview_SUP_7.047_EN_Rev02

