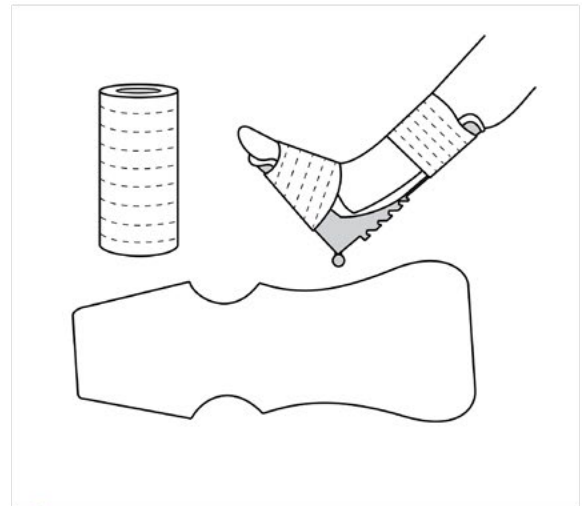
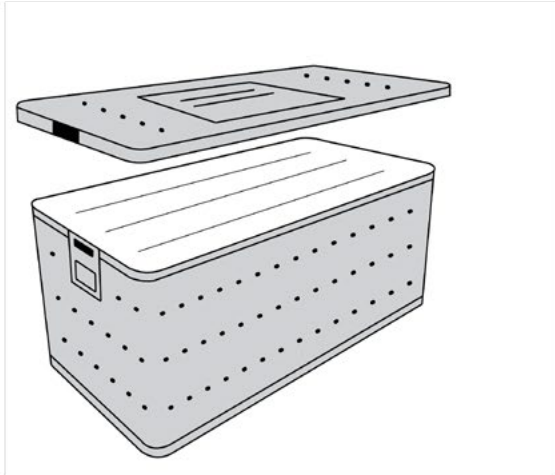


Non-Sterile Knee Positioning

Boost efficiency with the RAMP Knee Positioning System



✗ Sterilization

Save ~\$60 per case

✗ Consumables

Save ~\$40 per case



SAVE \$100 per case

- Quicker Set Up & Turnover
- Lower SPD Workload

- Lower Contamination Risk
- Less Waste

Potential Savings

CASES PER YEAR

AFTER 1 YEAR

AFTER 5 YEARS

50	\$ 5,000	\$ 25,000
100	\$ 10,000	\$ 50,000
150	\$ 15,000	\$ 75,000
200	\$ 20,000	\$ 100,000
250	\$ 25,000	\$ 125,000
300	\$ 30,000	\$ 150,000